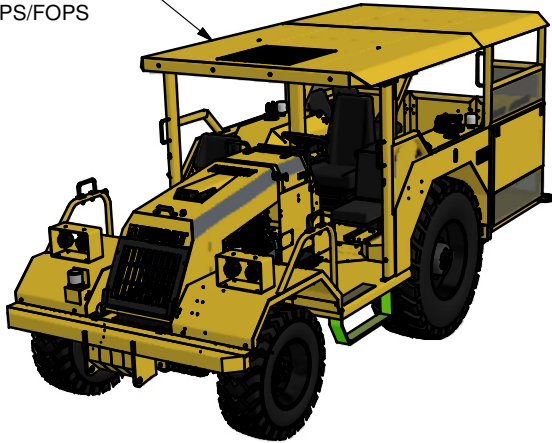
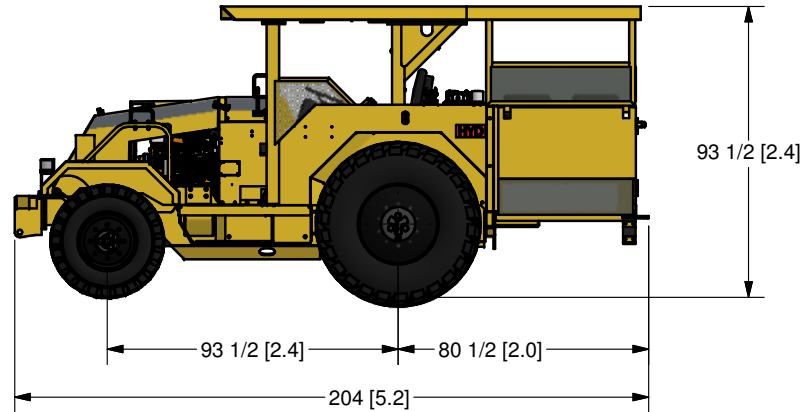
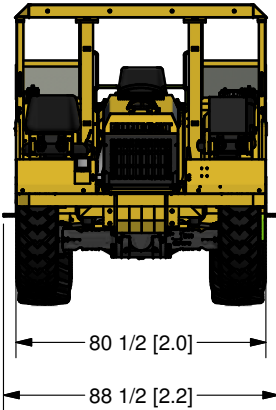
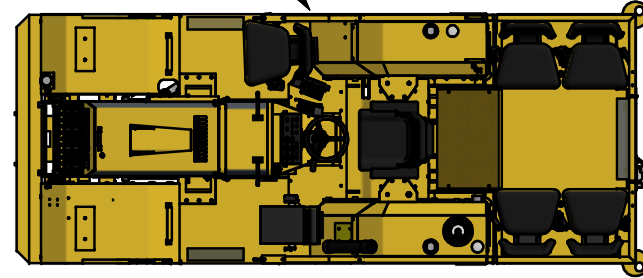


CSA APPROVED  
ROPS/FOPS



ROPS/FOPS NOT  
SHOWN FOR CLARITY



**NOTE 1:** DUE TO DESIGN UPGRADES  
SOME DIMENSIONS AND COMPONENTS  
MAY BE SUBJECT TO MINOR CHANGES

**NOTE 2:** OTHER OPTIONAL ACCESSORIES  
ARE AVAILABLE

SCALE: MATERIAL:

DRAWN BY: T. LANGMAN

REVIEWED BY:

CHECKED BY:

DATE: 8/31/12

UNLESS OTHERWISE NOTED  
TOLERANCING IS AS FOLLOWS:  
FRACTIONAL = +/- 1/16  
1 DECIMAL = +/- .030  
2 DECIMAL = +/- .010  
3 DECIMAL = +/- .005  
BREAK ALL SHARP EDGES



**Industrial  
Fabrication Inc.**  
Sudbury, Ontario, Canada  
Phone: (705) 523-1621  
Fax: (705) 523-0565

TITLE  
MINECAT MC 100g 7 MAN PC ROPS FOPS  
GENERAL ARRANGEMENT

PART # IFIF99049

REV