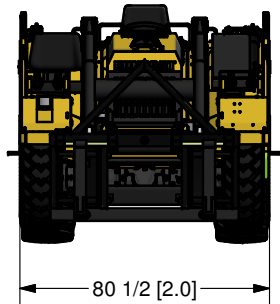
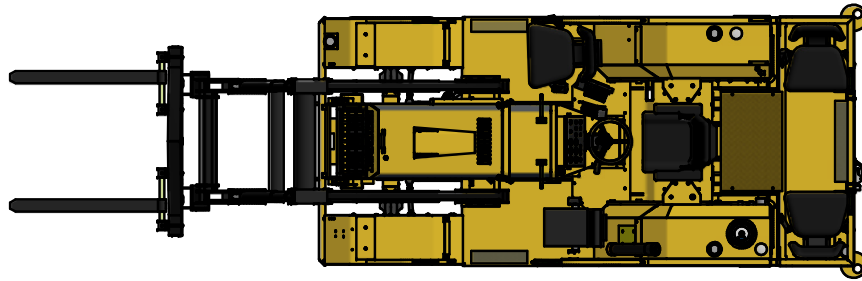
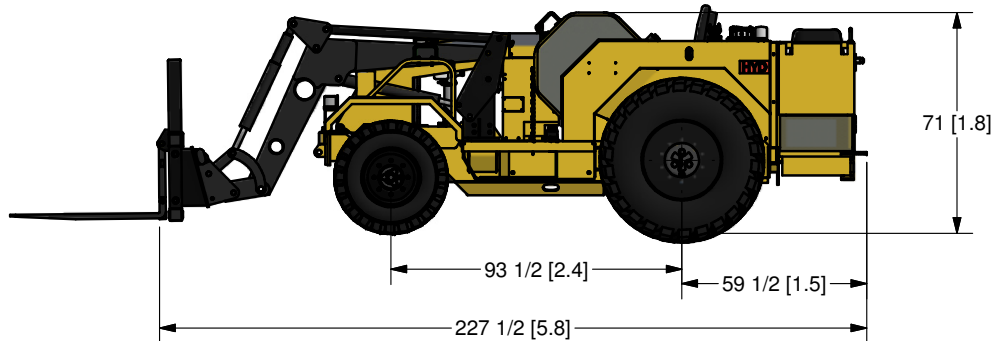


LOADER CAPACITY
3200 lbs. [1450 kg]



80 1/2 [2.0]



NOTE 1: DUE TO DESIGN UPGRADES
SOME DIMENSIONS AND COMPONENTS
MAY BE SUBJECT TO MINOR CHANGES

NOTE 2: OTHER OPTIONAL ACCESSORIES
ARE AVAILABLE

SCALE: MATERIAL:

DRAWN BY: T. LANGMAN

REVIEWED BY:

CHECKED BY:

DATE: 10/11/13

UNLESS OTHERWISE NOTED
TOLERANCING IS AS FOLLOWS:
FRACTIONAL = +/- 1/16
1 DECIMAL = +/- .030
2 DECIMAL = +/- .010
3 DECIMAL = +/- .005
BREAK ALL SHARP EDGES



**Industrial
Fabrication Inc.**
Sudbury, Ontario, Canada
Phone: (705) 523-1621
Fax: (705) 523-0565

TITLE
MINECAT MC 100G 5 PERSON LOADER
GENERAL ARRANGEMENT

PART # IFIF99109

REV