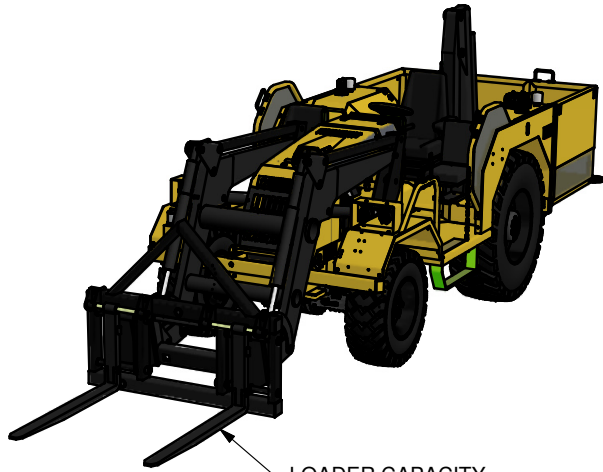


4

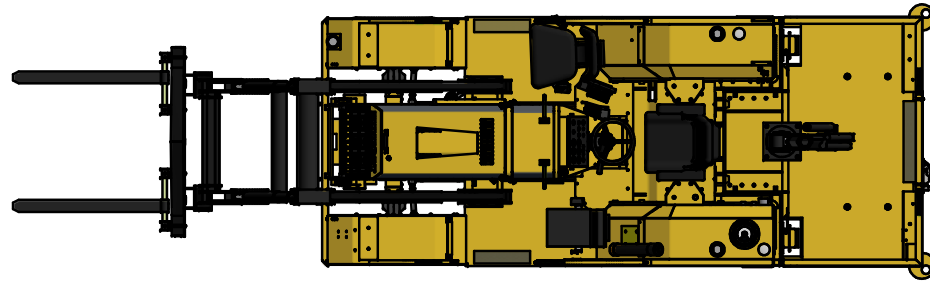
3

2

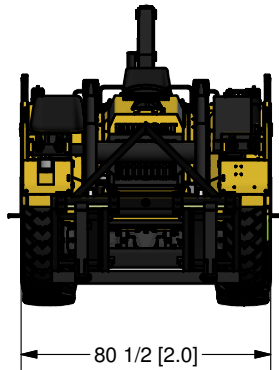
1



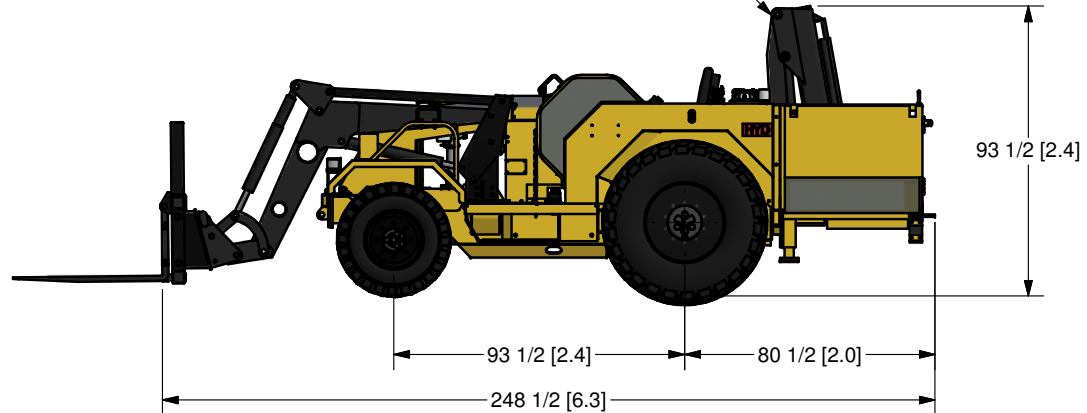
LOADER CAPACITY  
4,400 lbs. [2,000 kg]



HIAB 026-T3 CRANE



80 1/2 [2.0]



93 1/2 [2.4]

93 1/2 [2.4]

80 1/2 [2.0]

248 1/2 [6.3]

**NOTE 1:** DUE TO DESIGN UPGRADES  
SOME DIMENSIONS AND COMPONENTS  
MAY BE SUBJECT TO MINOR CHANGES

**NOTE 2:** OTHER OPTIONAL ACCESSORIES  
ARE AVAILABLE

SCALE:	MATERIAL:
DRAWN BY: T. LANGMAN	 UNLESS OTHERWISE NOTED TOLERANCING IS AS FOLLOWS: FRACTIONAL = +/- 1/16 1 DECIMAL = +/- .030 2 DECIMAL = +/- .010 3 DECIMAL = +/- .005 BREAK ALL SHARP EDGES
REVIEWED BY:	
CHECKED BY:	
DATE: 10/21/13	



**Industrial  
Fabrication Inc.**  
Sudbury, Ontario, Canada  
Phone: (705) 523-1621  
Fax: (705) 523-0565

TITLE  
MINECAT MC 100G LOADER WITH 026  
CRANE GENERAL ARRANGEMENT

PART # IFIF99121

REV

4

3

2

1

B

B

A

A