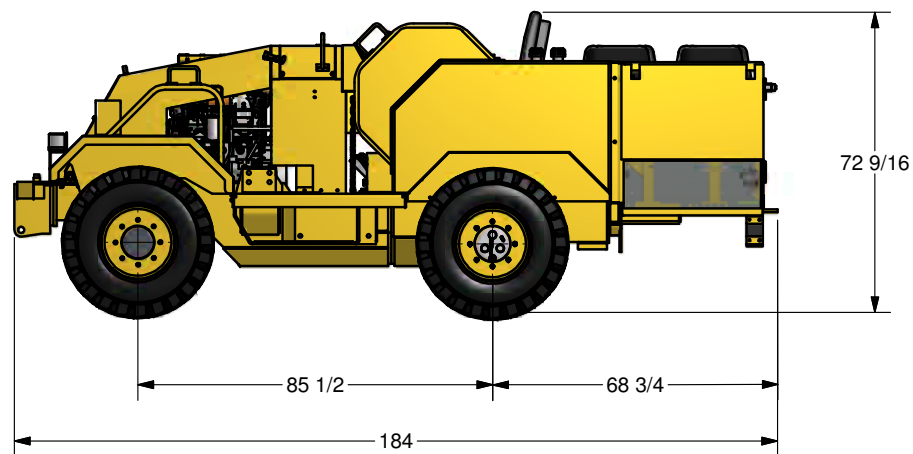
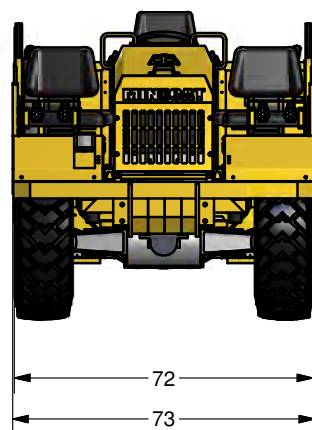
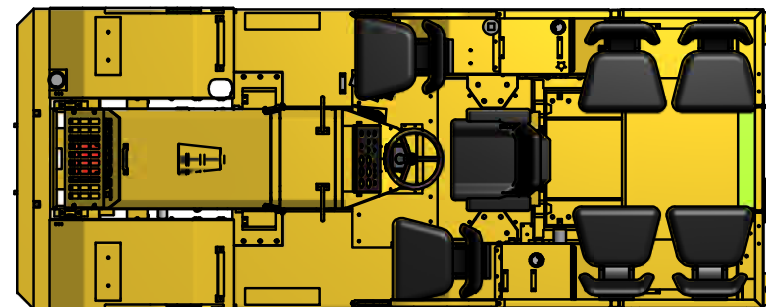
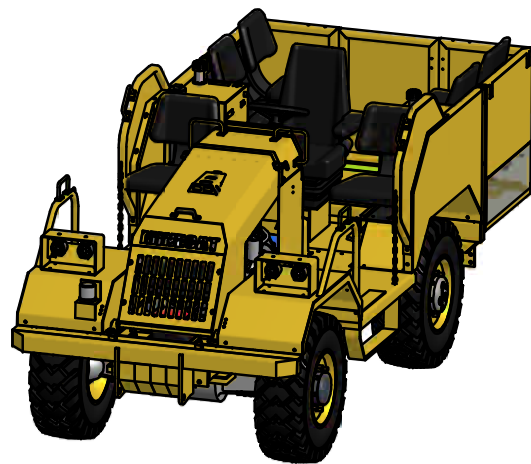


4

3

2

1



SCALE:

MATERIAL:

DRAWN BY: T. LANGMAN

REVIEWED BY:

CHECKED BY:

DATE: 6/3/2011

UNLESS OTHERWISE NOTED
TOLERANCING IS AS FOLLOWS:
FRACTIONAL = +/- 1/16
1 DECIMAL = +/- .030
2 DECIMAL = +/- .010
3 DECIMAL = +/- .005
BREAK ALL SHARP EDGES



**Industrial
Fabrication Inc.**
Sudbury, Ontario, Canada
Phone: (705) 523-1621
Fax: (705) 523-0565

TITLE
MINECAT NV100 NARROW 7 MAN PC
GENERAL ARRANGEMENT

PART # IFID99235

REV

4

3

2

1