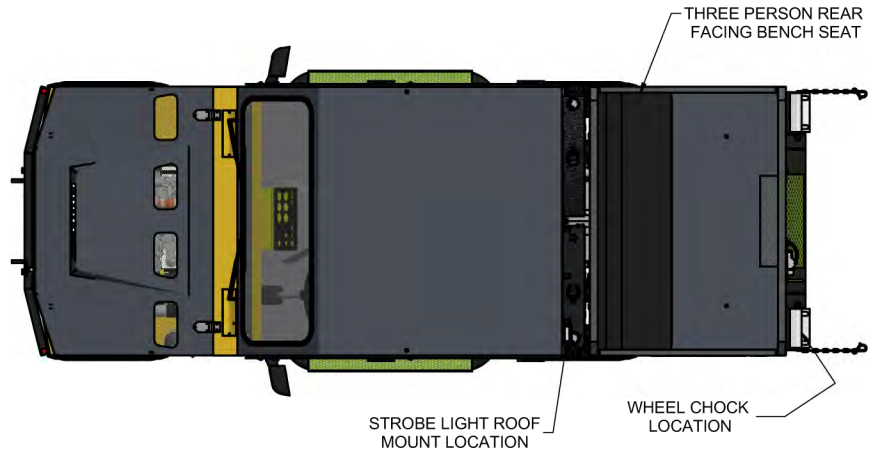
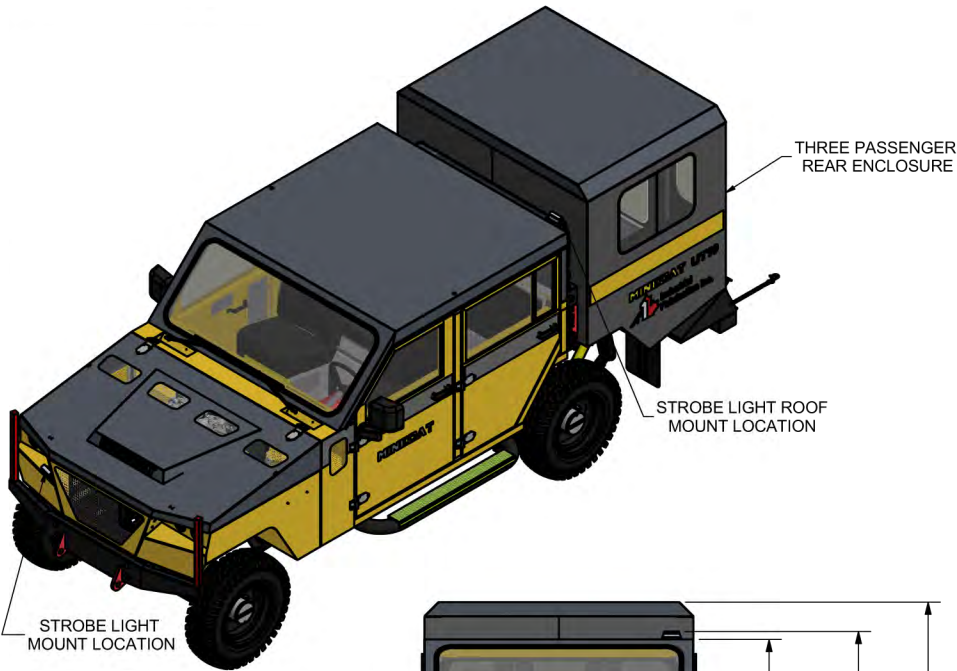


4

3

2

1



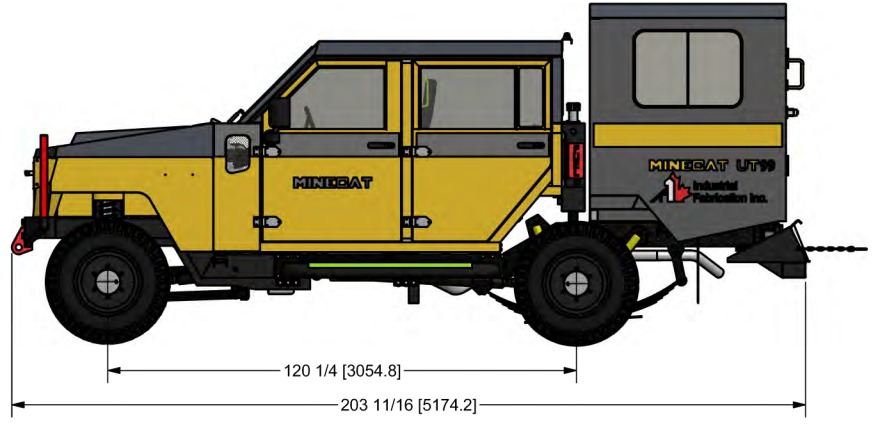
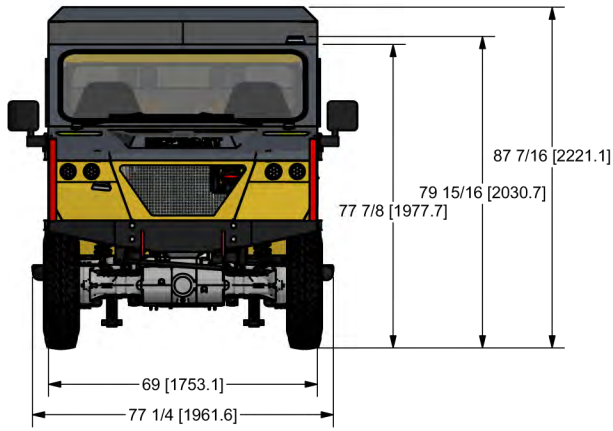
STROBE LIGHT MOUNT LOCATION

THREE PASSENGER REAR ENCLOSURE

THREE PERSON REAR FACING BENCH SEAT

STROBE LIGHT ROOF MOUNT LOCATION

WHEEL CHOCK LOCATION



NOTE 1: DUE TO DESIGN UPGRADES SOME DIMENSIONS AND COMPONENTS MAY BE SUBJECT TO MINOR CHANGES.

NOTE 2: OTHER OPTIONAL ACCESSORIES ARE AVAILABLE.

SCALE: MATERIAL:

DRAWN BY: T.VIEN

REVIEWED BY:

CHECKED BY:

DATE: 11/14/2012

UNLESS OTHERWISE NOTED TOLERANCING IS AS FOLLOWS:
 FRACTIONAL = +/- 1/16
 1 DECIMAL = +/- .030
 2 DECIMAL = +/- .010
 3 DECIMAL = +/- .005
 BREAK ALL SHARP EDGES



Industrial Fabrication Inc.
 Sudbury, Ontario, Canada
 Phone: (705) 523-1621
 Fax: (705) 523-0565

TITLE CREW CAB WITH ROOF, REAR ENCLOSURE WITH REAR FACING BENCH SEAT

PART # IFIX10024

REV 0

4

3

2

1

B

B

A

A