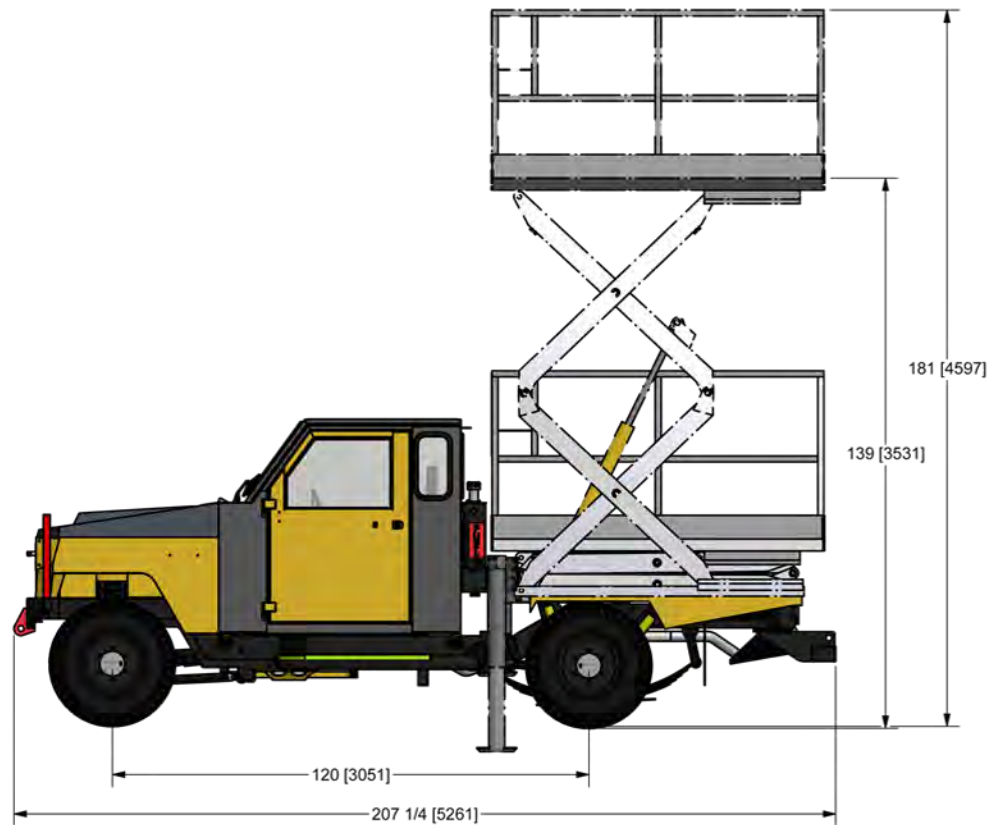
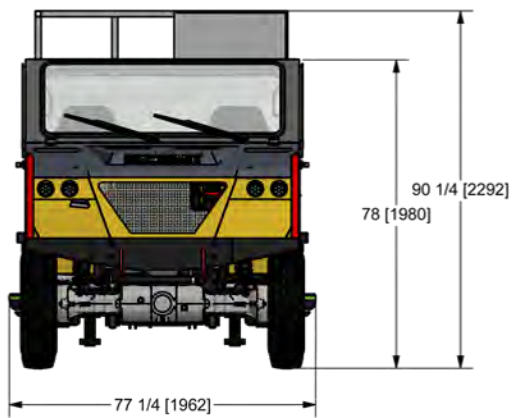
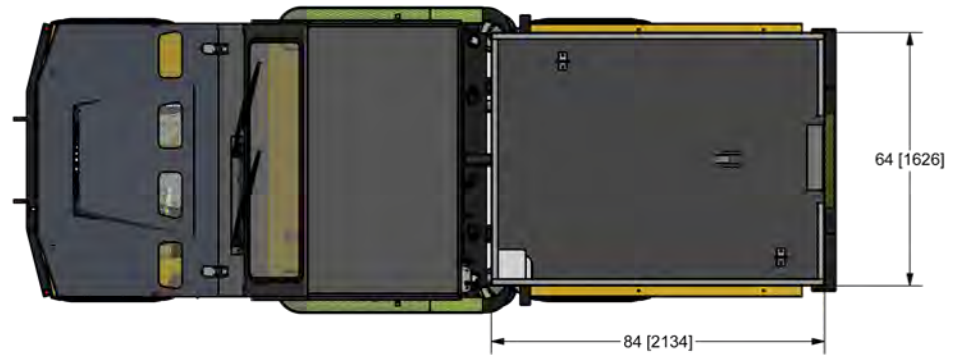


OPTIONAL TOOL
STORAGE AVAILABLE



NOTE 1: DUE TO DESIGN UPGRADES
SOME DIMENSIONS AND COMPONENTS
MAY BE SUBJECT TO MINOR CHANGES.

NOTE 2: OTHER OPTIONAL ACCESSORIES
ARE AVAILABLE.

SCALE: 1:25	MATERIAL:
DRAWN BY: T.VIEN	 UNLESS OTHERWISE NOTED TOLERANCING IS AS FOLLOWS FRACTIONAL = ±.176 1 DECIMAL = ±.050 2 DECIMAL = ±.010 3 DECIMAL = ±.005 BREAK ALL SHARP EDGES
REVIEWED BY:	
CHECKED BY:	
DATE: 2/18/2014	



**Industrial
Fabrication Inc.**
Sudbury, Ontario, Canada
Phone: (705) 523-1621
Fax: (705) 523-0565

TITLE
MINECAT UT99D REG CAB WITH FULL
DECK SCISSOR LIFT

PART # IFIX10055

REV